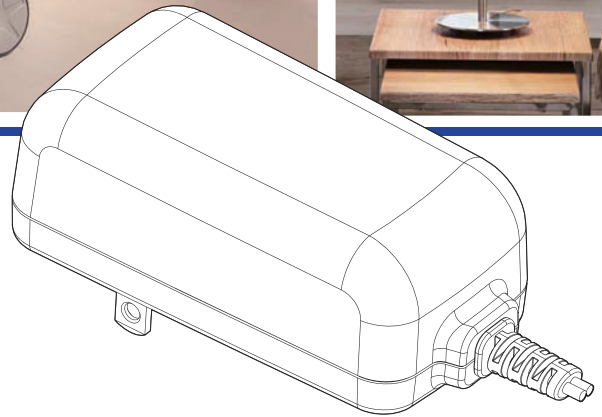


POWER SUPPLY

POWER SUPPLY BY DOZEN



AC ADAPTOR

东莞市大正新能源科技有限公司
DOZEN ENERGY TECHNOLOGY CO.,LTD

东莞市大正新能源科技有限公司是集研发、制造、销售为一体的专业电源解决方案提供商，致力于为智能家电、LED照明、通讯类、资讯类的产品提供电源适配器和充电器。公司一直谨守正直，精准，创新，务实的经营理念，并以客户满意为目的。经过持续不断的技术创新及客户开拓，以电源管理技术为核心的大正科技已成为众多企业的合作伙伴。

大正新能源目前以中国东莞为研发基地，结合市场趋势及客户需求进行不同的技术研究与产品开发，加上多年累积的专业经验，大正新能源可针对客户的需求提供定制化且品质稳定的电源适配器产品，产品的功率范围100W以下皆有涵盖，应用范围和安规的多样性也满足客户一次购足的需求。近年来，大正新能源有感于全球暖化情形日益显著，积极改进产品设计以提高电源适配器产品的电力转换效率，协助客户的终端系统节能减碳外。同时，积极投入照明、能源及电力通讯等新触角，期以电源管理的核心技术为基础，不断推出节能环保的整体解决方案。

大正新能源的制造基地分布在广东东莞、江苏常州两地，工厂内部设有具备德国TUV/美国UL/中国CNAS资格认可的实验室。公司在北美、欧洲均设有技术支持及代理机构，以贴近客户需求，提供多样性的本地化服务。大正新能源将会持续提供尖端环保能源的解决方案，并与客户构建紧密的伙伴关系，共赢未来。



广东东莞总部 Guangdong Dongguan Headquarters



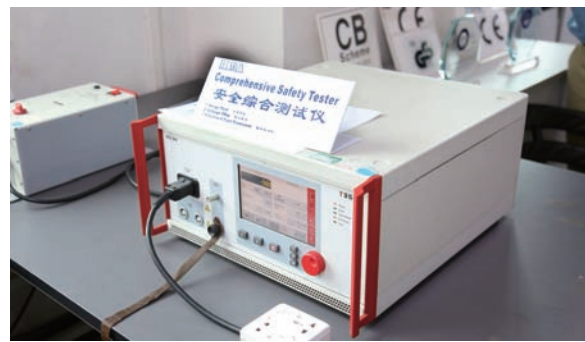
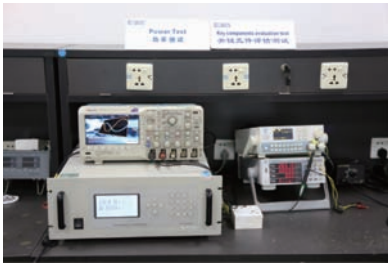
江苏常州分厂 Jiangsu Changzhou Branch

Dozen New Energy Technology Company is a professional power solution provider with product development, manufacturing and product promotion abilities. Dozen provides AC adaptors and chargers for household appliances, LED lighting equipments, communication products and information interchange products. The company's core values are: Integrity, Accuracy, Practical and Innovative. Dozen has always put customers' satisfaction as its first priority. After continuously innovation and customer development, Dozen has successfully built a business model with product management technology as its competitive advantage. And Dozen has built close partnerships with many corporations.

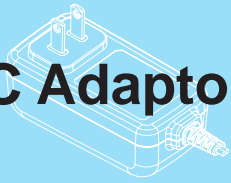

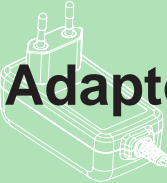

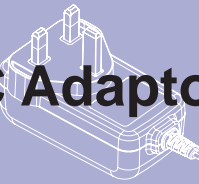

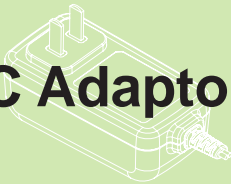





Dozen New Energy technology's R&D center is in the city Dongguan, China. Its R&D center focuses on market trends and customer demands to apply different technology and develop various products. With many years of experience, Dozen offers high-quality customized AC adaptor to fulfill different customer needs. Product range includes wattages that under 100W. Scope of applications and diversity of certifications could fulfill most customers' one time procurement demand. Since the Greenhouse Effect is becoming more and more severe every year, it is Dozen's goal to deliver environment friendly products to improve AC adaptors' Electricity Conversion Efficiency and reduce the terminal equipments' carbon output. Dozen is devoted in lighting, energy management and electric-commutation prospects. Dozen hopes to deliver the integrated energy solutions based on existed power management technologies.

Dozen Technology's production plants are located in the Dongguan Guangzhou and Changzhou Jiangsu. Each plant has TUV (Germany)/UL(United States)/CNAS(China) certified laboratories. In order to work closely and provide localized service to customers, Dozen has established supporting offices and regional distributors in the North America and Europe. In the future, Dozen New Energy Technology will continuously improving, build close relationships with customers and provide customers with high-end environment friendly energy solutions.

Transportation	TRA-001	Vibration Test
	TRA-002	Drop Test (With Package)
	TRA-003	Drop Test (Without Package)
Environment	ENV-001	High Temp. & Humi Operating Test
	ENV-002	High Temp. & Humi Storage Test
	ENV-003	Low Temperature Operating Test
	ENV-004	High Low Temp. Cycling Test
	ENV-005	Low Temp. Storage Test
	ENV-006	Salt Spray Test
Mechanism	MEC-001	Mechanical Shock Test
	MEC-002	Sphere Pressure Test
	MEC-003	Push tension Test
	MEC-004	Torque Test
	MEC-005	Cable Swing Test
Safety Check	SAF-001	Withstand Voltage Test
	SAF-002	Prevent Electric Shock Check
	SAF-003	Insulation Resistance Test
	SAF-004	Short-circuit Protection Test
	SAF-005	Ingress Protection Test
	SAF-006	Switching Impulse Test
	SAF-007	Overload Protection Test
	SAF-008	Temperature Rise Test
	SAF-009	Durability Test
EMC Test	EM-001	Conduction Test
	EM-002	Radiated Emission
	EM-003	Voltage Drop Test
	EM-004	Electrical Fast Transient
	EM-005	Harmonic Current
	EM-006	Surge Test
Function Test	FUN-001	Power Test
	FUN-002	Power Factor Test
	FUN-003	Current Measurement Test
	FUN-004	Voltage Measurement
	FUN-005	Colour Temperature Test
	FUN-006	Luminous Flux Test
	FUN-007	Light Intensity Test
	FUN-008	Light Beam Angle Test
	FUN-009	Light Distributed Test
RoHS Test	ROH-001	Heavy metal content Test
	ROH-002	Components element analysis





 AC Adaptor	 UL/S 美规系列	6-9
 AC Adaptor	 EU/S 欧规系列	10-13
 AC Adaptor	 UK/S 英规系列	14-17
 AC Adaptor	 CCC/S 中规系列	18-21
 AC Adaptor	 Desk-Top Series 桌上系列	22-23
 AC Adaptor	 Customized Product 定制产品	24

适配器 AC Adaptor

UL/S 美规系列

AC Adaptor **06W**

NEW!



产品特点 Product Features:

- 全系列满足美国DoE VI
Full range of products comply with the United States DoE VI
- 全封闭式塑胶外壳, 绝缘等级Class II
Fully enclosed plastic housing, insulation class Class II
- 工作温度 -20°C +40°C
Working temperature -20°C +40°C
- 过温保护、过流保护、短路保护、过压保护
Over-temperature protection, overcurrent protection, short circuit protection, overvoltage protection

Conformities

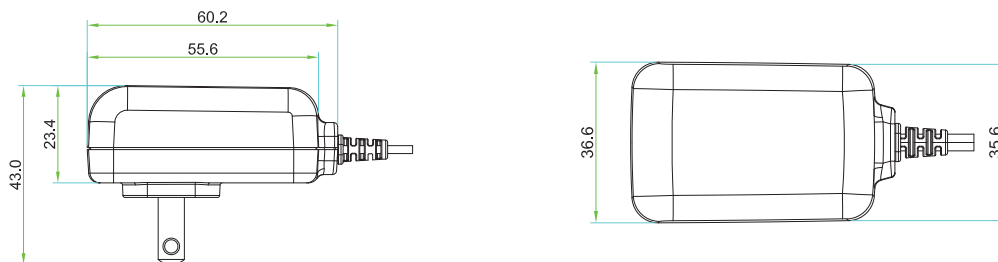
UL60950 UL1310 FCC



型号 Item No.	AC Adaptor 06W	
额定输入电压 Rated input voltage	100-240Vac	
操作电压 Operating range	90-264Vac	
额定输入频率 Rated input frequency	50/60Hz +/- 3Hz	
满载输入电流 Rated input current	≤0.15A	
空载功耗 Power consumption (no loading)	0.075W Max	
AC浪涌电流 AC Inrush Current	≤50A	
线性调整 Line regulation	±5%	
纹波 Ripple and noise	< 150 mVp-p	
开机时间 Turn on delay time	< 3000 mS	
保持时间 Hold up time	> 7ms	
输出电压 Output voltage	5.0V-28V	
输出电流 Output current	0.1A-1.2A Max, Total Power Output is less than 6W, current output is less than 1.2A	
MTBF MTBF	50K hours MTBF @ 25° C	
雷击 Fast Transient Immunity	1KV	
静电 Electrostatic Discharge Immunity	接触放电4-8KV, 空气放电8-15KV Contact Discharge 4-8KV, Air Discharge 8-15KV	
指示灯 Indicator light	无 No	

物理参数

Physical Parameter



适配器 AC Adaptor

UL/S 美规系列

 AC Adaptor **12W**


产品特点 Product Features:

- 全系列满足美国DoE VI
Full range of products comply with the United States DoE VI
- 全封闭式塑胶外壳，绝缘等级Class II
Fully enclosed plastic housing, insulation class Class II
- 工作温度 -20°C +40°C
Working temperature -20°C +40°C
- 过温保护、过流保护、短路保护、过压保护
Over-temperature protection, overcurrent protection, short circuit protection, overvoltage protection

Conformities

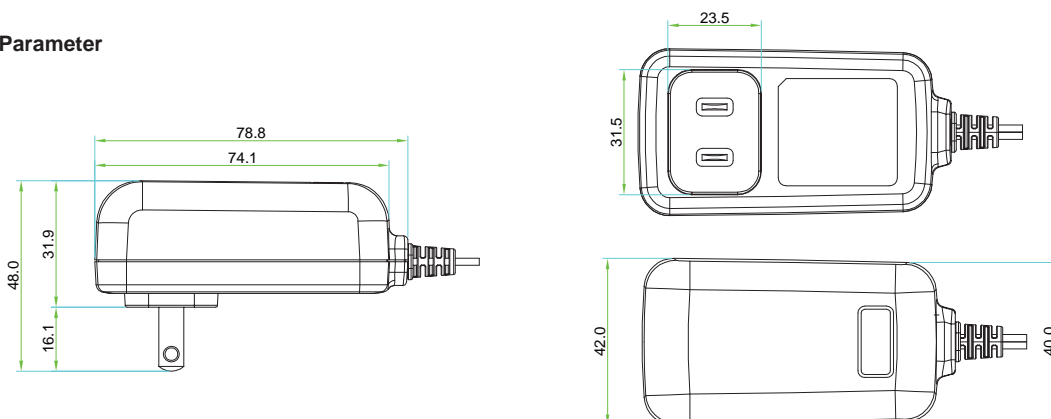
UL60950 UL1310 FCC



型号 Item No.	AC Adaptor 12W
额定输入电压 Rated input voltage	100-240Vac
操作电压 Operating range	90-264Vac
额定输入频率 Rated input frequency	50/60Hz +/- 3Hz
满载输入电流 Rated input current	≤0.3A
空载功耗 Power consumption (no loading)	0.075W Max
AC浪涌电流 AC Inrush Current	≤60A
线性调整 Line regulation	±5%
纹波 Ripple and noise	< 150 mVp-p
开机时间 Turn on delay time	< 3000 mS
保持时间 Hold up time	> 7ms
输出电压 Output voltage	5.0V-24V
输出电流 Output current	0.1A-2.0A Max, Total Power Output is less than 12W, current output is less than 2.0A
MTBF MTBF	50K hours MTBF @ 25° C
雷击 Fast Transient Immunity	1-6KV
静电 Electrostatic Discharge Immunity	接触放电4-8KV, 空气放电8-15KV Contact Discharge 4-8KV, Air Discharge 8-15KV
指示灯 Indicator light	无 No

物理参数

Physical Parameter



适配器 AC Adaptor

UL/S 美规系列

 AC Adaptor **24W**


产品特点 Product Features:

- 全系列满足美国DoE VI
Full range of products comply with the United States DoE VI
- 全封闭式塑胶外壳，绝缘等级Class II
Fully enclosed plastic housing, insulation class Class II
- 工作温度 -20°C +40°C
Working temperature -20°C +40°C
- 过温保护、过流保护、短路保护、过压保护
Over-temperature protection, overcurrent protection, short circuit protection, overvoltage protection

Conformities

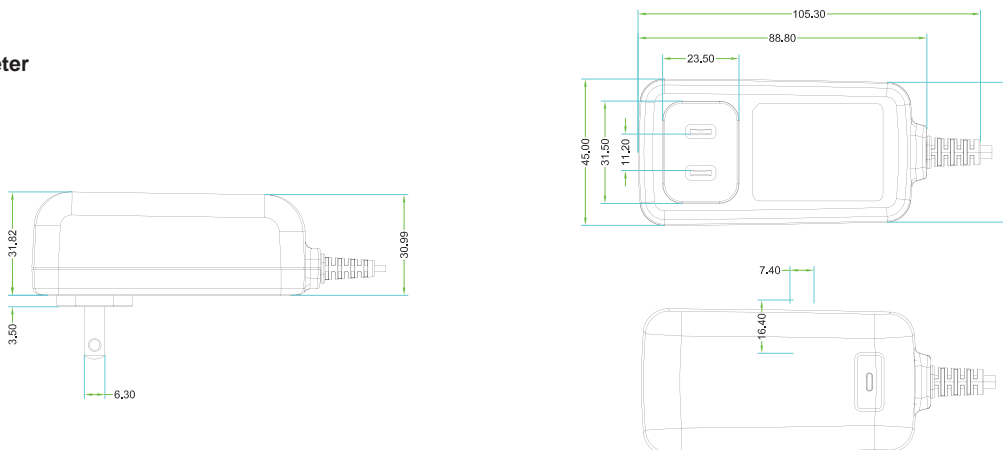
UL60950 UL1310 FCC



型号 Item No.	AC Adaptor 24W	
额定输入电压 Rated input voltage	100-240Vac	
操作电压 Operating range	90-264Vac	
额定输入频率 Rated input frequency	50/60Hz +/- 3Hz	
满载输入电流 Rated input current	≤0.6A	
空载功耗 Power consumption (no loading)	0.075W Max	
AC浪涌电流 AC Inrush Current	≤80A	
线性调整 Line regulation	±5%	
纹波 Ripple and noise	< 150 mVp-p	
开机时间 Turn on delay time	< 3000 mS	
保持时间 Hold up time	> 7ms	
输出电压 Output voltage	5.0V-24V	
输出电流 Output current	0.1A-3.4A Max, Total Power Output is less than 24W, current output is less than 3.4A	
MTBF MTBF	50K hours MTBF @ 25° C	
雷击 Fast Transient Immunity	1-6KV	
静电 Electrostatic Discharge Immunity	接触放电4-8KV, 空气放电8-15KV Contact Discharge 4-8KV, Air Discharge 8-15KV	
指示灯 Indicator light	可选 Optional	

物理参数

Physical Parameter



适配器 AC Adaptor

UL/S 美规系列

AC Adaptor **36W**

NEW!



产品特点 Product Features:

- 全系列满足美国DoE VI
Full range of products comply with the United States DoE VI
- 全封闭式塑胶外壳，绝缘等级Class II
Fully enclosed plastic housing, insulation class Class II
- 工作温度 -20°C +40°C
Working temperature -20°C +40°C
- 过温保护、过流保护、短路保护、过压保护
Over-temperature protection, overcurrent protection, short circuit protection, overvoltage protection

Conformities

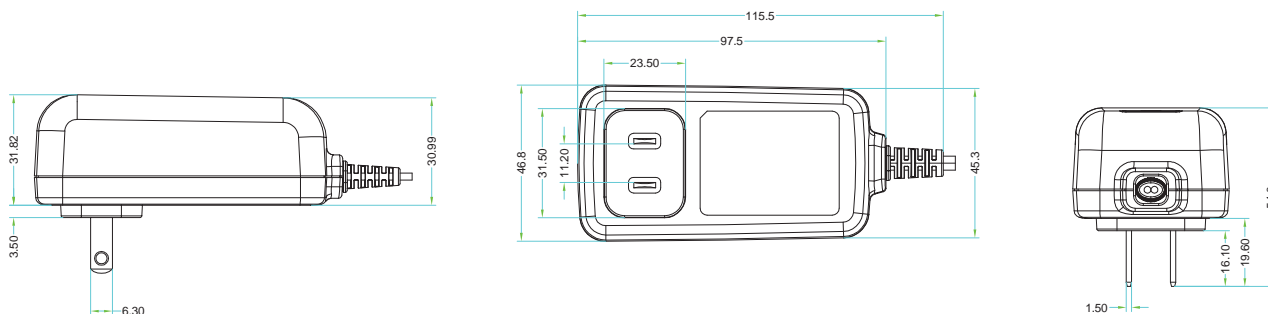
UL60950 UL1310 FCC



型号 Item No.	AC Adaptor 36W
额定输入电压 Rated input voltage	100-240Vac
操作电压 Operating range	90-264Vac
额定输入频率 Rated input frequency	50/60Hz +/- 3Hz
满载输入电流 Rated input current	≤0.8A
空载功耗 Power consumption (no loading)	0.075W Max
AC浪涌电流 AC Inrush Current	≤80A
线性调整 Line regulation	±5%
纹波 Ripple and noise	< 180 mVp-p
开机时间 Turn on delay time	< 3000 mS
保持时间 Hold up time	> 10ms
输出电压 Output voltage	9.0V-24V
输出电流 Output current	0.1A-4.0A Max, Total Power Output is less than 36W, current output is less than 4.0A
MTBF MTBF	50K hours MTBF @ 25° C
雷击 Fast Transient Immunity	1-6KV
静电 Electrostatic Discharge Immunity	接触放电4-8KV, 空气放电8-15KV Contact Discharge 4-8KV, Air Discharge 8-15KV
指示灯 Indicator light	可选 Optional

物理参数

Physical Parameter



适配器 AC Adaptor

EU/S 欧规系列

 AC Adaptor **06W**
NEW!


产品特点 Product Features:

- 全系列满足欧盟ERP / CoC Tier 2
Full range of products comply with the European Union ERP / CoC Tier 2
- 全封闭式塑胶外壳，绝缘等级Class II
Fully enclosed plastic housing, insulation class Class II
- 工作温度 -20°C +40°C
Working temperature -20°C +40°C
- 过温保护、过流保护、短路保护、过压保护
Over-temperature protection, overcurrent protection, short circuit protection, overvoltage protection

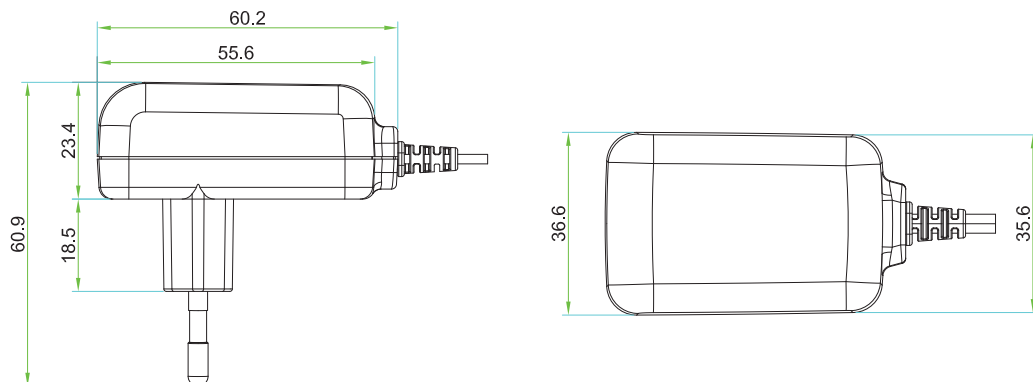
Conformities

 EN60950 EN61558 EN61347 EN55022 EN55024
 EN55014 EN55015 EN61547 EN61000


型号 Item No.	AC Adaptor 06W	
额定输入电压 Rated input voltage	100-240Vac	
操作电压 Operating range	90-264Vac	
额定输入频率 Rated input frequency	50/60Hz +/- 3Hz	
满载输入电流 Rated input current	≤0.15A	
空载功耗 Power consumption (no loading)	0.075W Max	
AC浪涌电流 AC Inrush Current	≤50A	
线性调整 Line regulation	±5%	
纹波 Ripple and noise	< 150 mVp-p	
开机时间 Turn on delay time	< 3000 mS	
保持时间 Hold up time	> 7ms	
输出电压 Output voltage	5.0V-28V	
输出电流 Output current	0.1A-1.2A Max, Total Power Output is less than 6W, current output is less than 1.2A	
MTBF MTBF	50K hours MTBF @ 25° C	
雷击 Fast Transient Immunity	1KV	
静电 Electrostatic Discharge Immunity	接触放电4-8KV, 空气放电8-15KV Contact Discharge 4-8KV, Air Discharge 8-15KV	
指示灯 Indicator light	无 No	

物理参数

Physical Parameter



适配器 AC Adaptor

EU/S 欧规系列

AC Adaptor **12W**



产品特点 Product Features:

- 全系列满足欧盟ERP / CoC Tier 2
Full range of products comply with the European Union ERP / CoC Tier 2
- 全封闭式塑胶外壳，绝缘等级Class II
Fully enclosed plastic housing, insulation class Class II
- 工作温度 -20°C +40°C
Working temperature -20°C +40°C
- 过温保护、过流保护、短路保护、过压保护
Over-temperature protection, overcurrent protection, short circuit protection, overvoltage protection

Conformities

EN60950 EN61558 EN61347 EN55022 EN55024
EN55014 EN55015 EN61547 EN61000

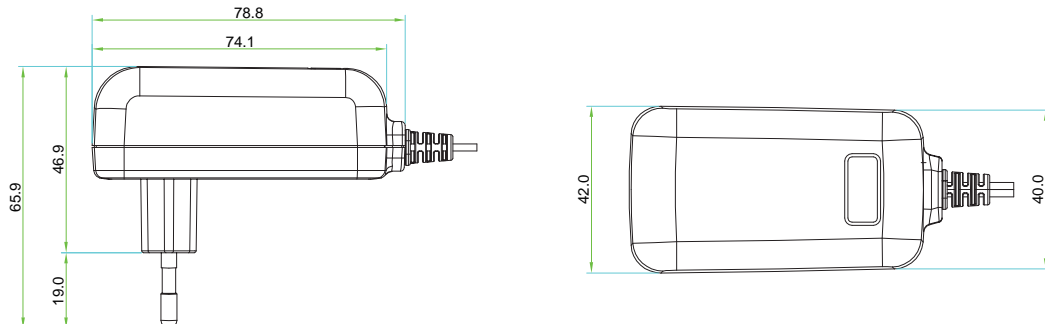


EU

型号 Item No.	AC Adaptor 12W
额定输入电压 Rated input voltage	100-240Vac
操作电压 Operating range	90-264Vac
额定输入频率 Rated input frequency	50/60Hz +/- 3Hz
满载输入电流 Rated input current	≤0.3A
空载功耗 Power consumption (no loading)	0.075W Max
AC浪涌电流 AC Inrush Current	≤60A
线性调整 Line regulation	±5%
纹波 Ripple and noise	< 150 mVp-p
开机时间 Turn on delay time	< 3000 mS
保持时间 Hold up time	> 7ms
输出电压 Output voltage	5.0V-24V
输出电流 Output current	0.1A-2.0A Max, Total Power Output is less than 12W, current output is less than 2.0A
MTBF MTBF	50K hours MTBF @ 25° C
雷击 Fast Transient Immunity	1-6KV
静电 Electrostatic Discharge Immunity	接触放电4-8KV, 空气放电8-15KV Contact Discharge 4-8KV, Air Discharge 8-15KV
指示灯 Indicator light	无 No

物理参数

Physical Parameter



适配器 AC Adaptor

EU/S 欧规系列

AC Adaptor **24W**

NEW!



产品特点 Product Features:

- 全系列满足欧盟ERP / CoC Tier 2
Full range of products comply with the European Union ERP / CoC Tier 2
- 全封闭式塑胶外壳，绝缘等级Class II
Fully enclosed plastic housing, insulation class Class II
- 工作温度 -20°C +40°C
Working temperature -20°C +40°C
- 过温保护、过流保护、短路保护、过压保护
Over-temperature protection, overcurrent protection, short circuit protection, overvoltage protection

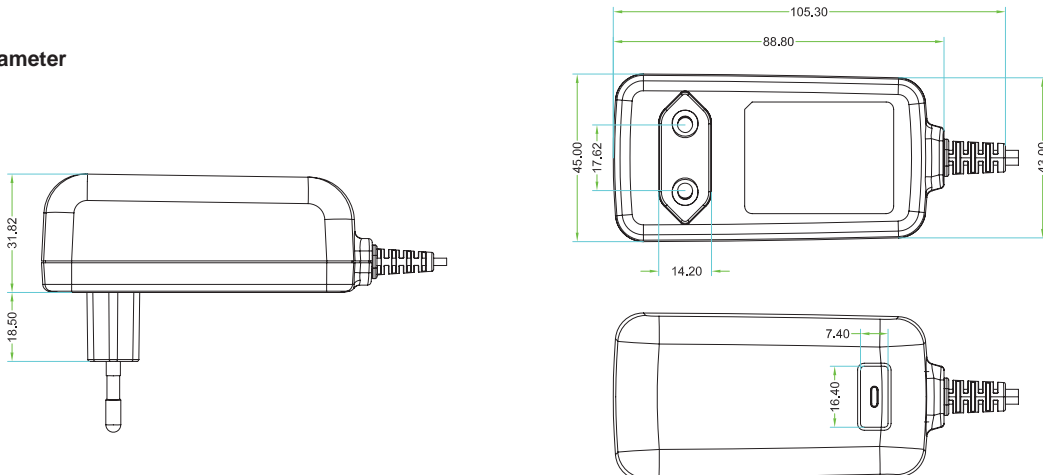
Conformities

EN60950 EN61558 EN61347 EN55022 EN55024
EN55014 EN55015 EN61547 EN61000



型号 Item No.	AC Adaptor 24W	
额定输入电压 Rated input voltage	100-240Vac	
操作电压 Operating range	90-264Vac	
额定输入频率 Rated input frequency	50/60Hz +/- 3Hz	
满载输入电流 Rated input current	≤0.6A	
空载功耗 Power consumption (no loading)	0.075W Max	
AC浪涌电流 AC Inrush Current	≤80A	
线性调整 Line regulation	±5%	
纹波 Ripple and noise	< 150 mVp-p	
开机时间 Turn on delay time	< 3000 ms	
保持时间 Hold up time	> 7ms	
输出电压 Output voltage	5.0V-24V	
输出电流 Output current	0.1A-3.4A Max, Total Power Output is less than 24W, current output is less than 3.4A	
MTBF MTBF	50K hours MTBF @ 25° C	
雷击 Fast Transient Immunity	1-6KV	
静电 Electrostatic Discharge Immunity	接触放电4-8KV, 空气放电8-15KV Contact Discharge 4-8KV, Air Discharge 8-15KV	
指示灯 Indicator light	可选 Optional	

物理参数 Physical Parameter



适配器 AC Adaptor

EU/S 欧规系列

 AC Adaptor **36W**


产品特点 Product Features:

- 全系列满足欧盟ERP / CoC Tier 2
Full range of products comply with the European Union ERP / CoC Tier 2
- 全封闭式塑胶外壳，绝缘等级Class II
Fully enclosed plastic housing, insulation class Class II
- 工作温度 -20°C +40°C
Working temperature -20°C +40°C
- 过温保护、过流保护、短路保护、过压保护
Over-temperature protection, overcurrent protection, short circuit protection, overvoltage protection

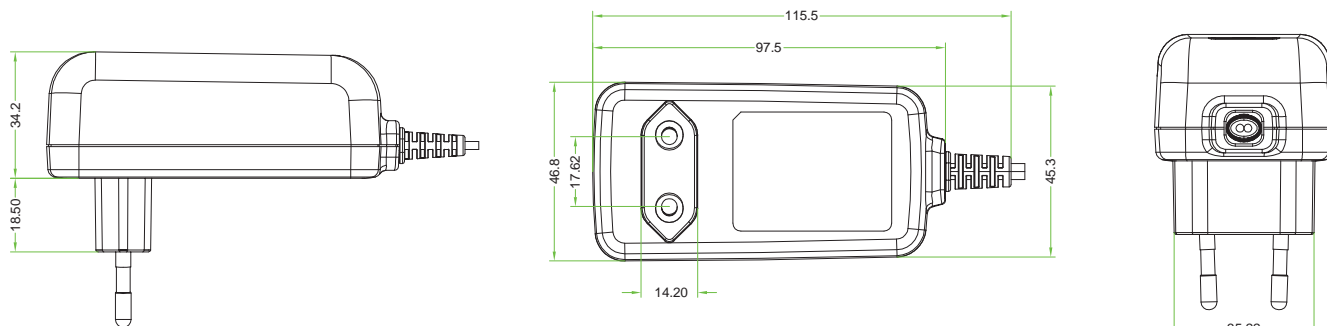
Conformities

 EN60950 EN61558 EN61347 EN55022 EN55024
 EN55014 EN55015 EN61547 EN61000


型号 Item No.	AC Adaptor 36W	
额定输入电压 Rated input voltage	100-240Vac	
操作电压 Operating range	90-264Vac	
额定输入频率 Rated input frequency	50/60Hz +/- 3Hz	
满载输入电流 Rated input current	≤0.8A	
空载功耗 Power consumption (no loading)	0.075W Max	
AC浪涌电流 AC Inrush Current	≤80A	
线性调整 Line regulation	±5%	
纹波 Ripple and noise	< 180 mVp-p	
开机时间 Turn on delay time	< 3000 mS	
保持时间 Hold up time	> 10ms	
输出电压 Output voltage	9.0V-24V	
输出电流 Output current	0.1A-4.0A Max, Total Power Output is less than 36W, current output is less than 4.0A	
MTBF MTBF	50K hours MTBF @ 25° C	
雷击 Fast Transient Immunity	1-6KV	
静电 Electrostatic Discharge Immunity	接触放电4-8KV, 空气放电8-15KV Contact Discharge 4-8KV, Air Discharge 8-15KV	
指示灯 Indicator light	可选 Optional	

物理参数

Physical Parameter



适配器 AC Adaptor

UK/S 英规系列

AC Adaptor **06W**

NEW!



产品特点 Product Features:

- 全系列满足欧盟ERP
Full range of products comply with the European Union ERP
- 全封闭式塑胶外壳，绝缘等级Class II
Fully enclosed plastic housing, insulation class Class II
- 工作温度 -20°C +40°C
Working temperature -20°C +40°C
- 过温保护、过流保护、短路保护、过压保护
Over-temperature protection, overcurrent protection, short circuit protection, overvoltage protection

Conformities

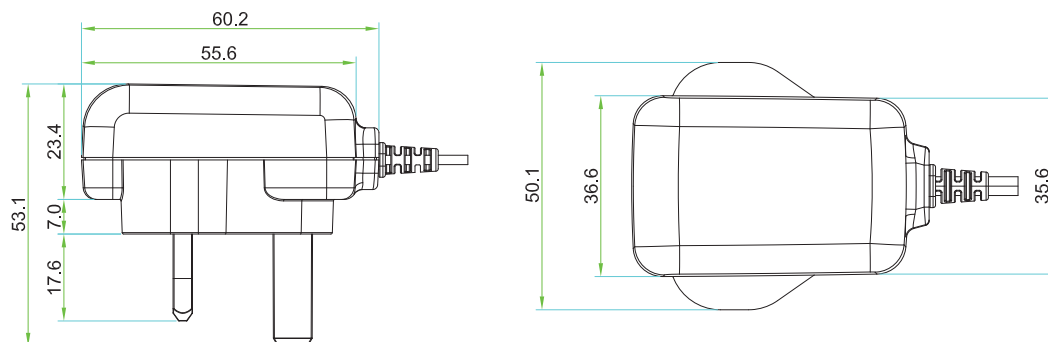
EN60950 EN61558 EN61347 EN55022 EN55024
EN55014 EN55015 EN61547 EN61000



型号 Item No.	AC Adaptor 06W	
额定输入电压 Rated input voltage	100-240Vac	
操作电压 Operating range	90-264Vac	
额定输入频率 Rated input frequency	50/60Hz +/- 3Hz	
满载输入电流 Rated input current	≤0.15A	
空载功耗 Power consumption (no loading)	0.075W Max	
AC浪涌电流 AC Inrush Current	≤50A	
线性调整 Line regulation	±5%	
纹波 Ripple and noise	< 150 mVp-p	
开机时间 Turn on delay time	< 3000 mS	
保持时间 Hold up time	> 7ms	
输出电压 Output voltage	5.0V-28V	
输出电流 Output current	0.1A-1.2A Max, Total Power Output is less than 6W, current output is less than 1.2A	
MTBF MTBF	50K hours MTBF @ 25° C	
雷击 Fast Transient Immunity	1KV	
静电 Electrostatic Discharge Immunity	接触放电4-8KV, 空气放电8-15KV Contact Discharge 4-8KV, Air Discharge 8-15KV	
指示灯 Indicator light	无 No	

物理参数

Physical Parameter



适配器 AC Adaptor

UK/S 英规系列

AC Adaptor **12W**

NEW!



产品特点 Product Features:

- 全系列满足欧盟ERP
Full range of products comply with the European Union ERP
- 全封闭式塑胶外壳，绝缘等级Class II
Fully enclosed plastic housing, insulation class Class II
- 工作温度 -20°C +40°C
Working temperature -20°C +40°C
- 过温保护、过流保护、短路保护、过压保护
Over-temperature protection, overcurrent protection, short circuit protection, overvoltage protection

Conformities

EN60950 EN61558 EN61347 EN55022 EN55024
EN55014 EN55015 EN61547 EN61000

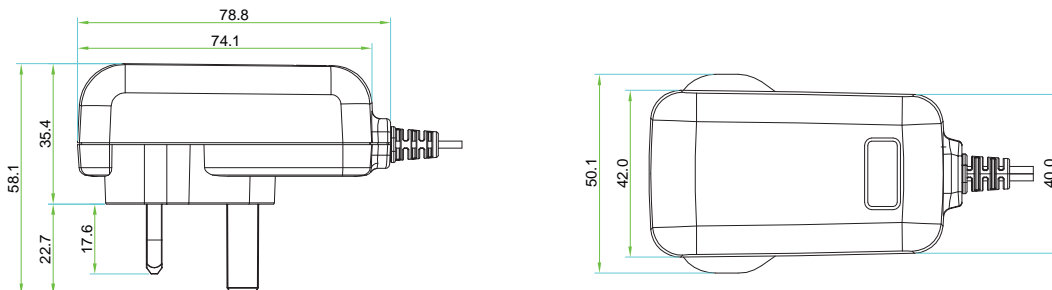


型号 Item No.	AC Adaptor 12W
额定输入电压 Rated input voltage	100-240Vac
操作电压 Operating range	90-264Vac
额定输入频率 Rated input frequency	50/60Hz +/- 3Hz
满载输入电流 Rated input current	≤0.3A
空载功耗 Power consumption (no loading)	0.075W Max
AC浪涌电流 AC Inrush Current	≤60A
线性调整 Line regulation	±5%
纹波 Ripple and noise	< 150 mVp-p
开机时间 Turn on delay time	< 3000 mS
保持时间 Hold up time	> 7ms
输出电压 Output voltage	5.0V-24V
输出电流 Output current	0.1A-2.0A Max, Total Power Output is less than 12W, current output is less than 2.0A
MTBF MTBF	50K hours MTBF @ 25° C
雷击 Fast Transient Immunity	1-6KV
静电 Electrostatic Discharge Immunity	接触放电4-8KV, 空气放电8-15KV Contact Discharge 4-8KV, Air Discharge 8-15KV
指示灯 Indicator light	无 No

UK

物理参数

Physical Parameter



适配器 AC Adaptor

UK/S 英规系列

 AC Adaptor **24W**



产品特点 Product Features:

- 全系列满足欧盟ERP
Full range of products comply with the European Union ERP
- 全封闭式塑胶外壳，绝缘等级Class II
Fully enclosed plastic housing, insulation class Class II
- 工作温度 -20°C +40°C
Working temperature -20°C +40°C
- 过温保护、过流保护、短路保护、过压保护
Over-temperature protection, overcurrent protection, short circuit protection, overvoltage protection

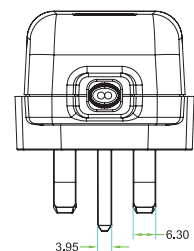
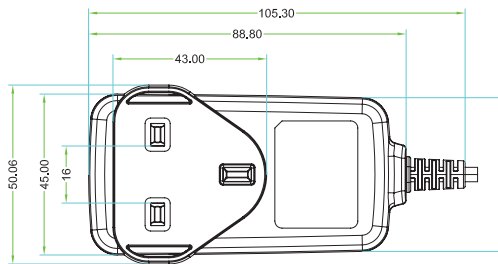
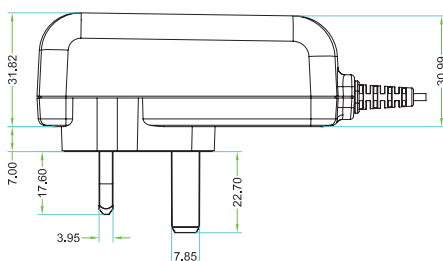
Conformities

 EN60950 EN61558 EN61347 EN55022 EN55024
 EN55014 EN55015 EN61547 EN61000


型号 Item No.	AC Adaptor 24W	
额定输入电压 Rated input voltage	100-240Vac	
操作电压 Operating range	90-264Vac	
额定输入频率 Rated input frequency	50/60Hz +/- 3Hz	
满载输入电流 Rated input current	≤0.6A	
空载功耗 Power consumption (no loading)	0.075W Max	
AC浪涌电流 AC Inrush Current	≤80A	
线性调整 Line regulation	±5%	
纹波 Ripple and noise	< 150 mVp-p	
开机时间 Turn on delay time	< 3000 mS	
保持时间 Hold up time	> 7ms	
输出电压 Output voltage	5.0V-24V	
输出电流 Output current	0.1A-3.4A Max, Total Power Output is less than 24W, current output is less than 3.4A	
MTBF MTBF	50K hours MTBF @ 25° C	
雷击 Fast Transient Immunity	1-6KV	
静电 Electrostatic Discharge Immunity	接触放电4-8KV, 空气放电8-15KV Contact Discharge 4-8KV, Air Discharge 8-15KV	
指示灯 Indicator light	可选 Optional	

物理参数

Physical Parameter



适配器 AC Adaptor

UK/S 英规系列

AC Adaptor **36W**

NEW!



产品特点 Product Features:

- 全系列满足欧盟ERP
Full range of products comply with the European Union ERP
- 全封闭式塑胶外壳，绝缘等级Class II
Fully enclosed plastic housing, insulation class Class II
- 工作温度 -20°C +40°C
Working temperature -20°C +40°C
- 过温保护、过流保护、短路保护、过压保护
Over-temperature protection, overcurrent protection, short circuit protection, overvoltage protection

Conformities

EN60950 EN61558 EN61347 EN55022 EN55024
EN55014 EN55015 EN61547 EN61000

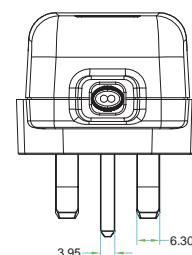
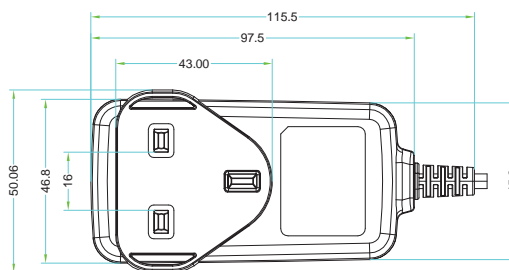
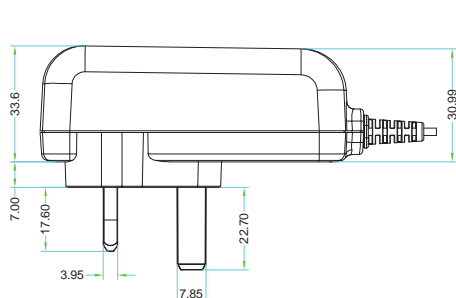


型号 Item No.	AC Adaptor 36W
额定输入电压 Rated input voltage	100-240Vac
操作电压 Operating range	90-264Vac
额定输入频率 Rated input frequency	50/60Hz +/- 3Hz
满载输入电流 Rated input current	≤0.8A
空载功耗 Power consumption (no loading)	0.075W Max
AC浪涌电流 AC Inrush Current	≤80A
线性调整 Line regulation	±5%
纹波 Ripple and noise	< 180 mVp-p
开机时间 Turn on delay time	< 3000 ms
保持时间 Hold up time	> 10ms
输出电压 Output voltage	9.0V-24V
输出电流 Output current	0.1A-4.0A Max, Total Power Output is less than 36W, current output is less than 4.0A
MTBF MTBF	50K hours MTBF @ 25° C
雷击 Fast Transient Immunity	1-6KV
静电 Electrostatic Discharge Immunity	接触放电4-8KV, 空气放电8-15KV Contact Discharge 4-8KV, Air Discharge 8-15KV
指示灯 Indicator light	可选 Optional

UK

物理参数

Physical Parameter



适配器 AC Adaptor

CCC/S 中规系列

AC Adaptor **06W**

NEW!



产品特点 Product Features:

- 全系列满足美国DoE VI和欧盟ERP
Full range of products comply with the United States DoE VI and the European Union ERP
- 全封闭式塑胶外壳，绝缘等级Class II
Fully enclosed plastic housing, insulation class Class II
- 工作温度 -20°C +40°C
Working temperature -20°C +40°C
- 过温保护、过流保护、短路保护、过压保护
Over-temperature protection, overcurrent protection, short circuit protection, overvoltage protection

Conformities

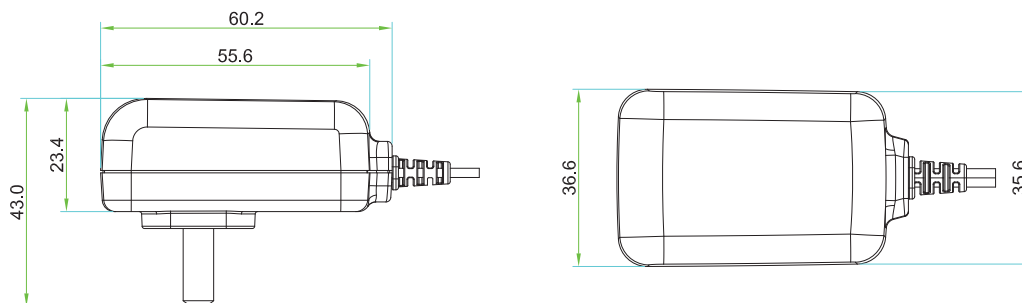
GB4943 GB19510 GB17743 GB4706 GB17625



型号 Item No.	AC Adaptor 06W	
额定输入电压 Rated input voltage	100-240Vac	
操作电压 Operating range	90-264Vac	
额定输入频率 Rated input frequency	50/60Hz +/- 3Hz	
满载输入电流 Rated input current	≤0.15A	
空载功耗 Power consumption (no loading)	0.075W Max	
AC浪涌电流 AC Inrush Current	≤50A	
线性调整 Line regulation	±5%	
纹波 Ripple and noise	< 150 mVp-p	
开机时间 Turn on delay time	< 3000 mS	
保持时间 Hold up time	> 7ms	
输出电压 Output voltage	5.0V-28V	
输出电流 Output current	0.1A-1.2A Max, Total Power Output is less than 6W, current output is less than 1.2A	
MTBF MTBF	50K hours MTBF @ 25° C	
雷击 Fast Transient Immunity	1KV	
静电 Electrostatic Discharge Immunity	接触放电4-8KV, 空气放电8-15KV Contact Discharge 4-8KV, Air Discharge 8-15KV	
指示灯 Indicator light	无 No	

物理参数

Physical Parameter



适配器 AC Adaptor

CCC/S 中规系列

AC Adaptor 12W

NEW!



产品特点 Product Features:

- 全系列满足美国DoE VI和欧盟ERP
Full range of products comply with the United States DoE VI and the European Union ERP
- 全封闭式塑胶外壳，绝缘等级Class II
Fully enclosed plastic housing, insulation class Class II
- 工作温度 -20°C +40°C
Working temperature -20°C +40°C
- 过温保护、过流保护、短路保护、过压保护
Over-temperature protection, overcurrent protection, short circuit protection, overvoltage protection

Conformities

GB4943 GB19510 GB17743 GB4706 GB17625

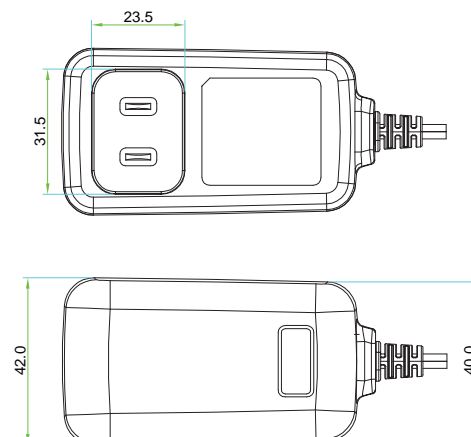
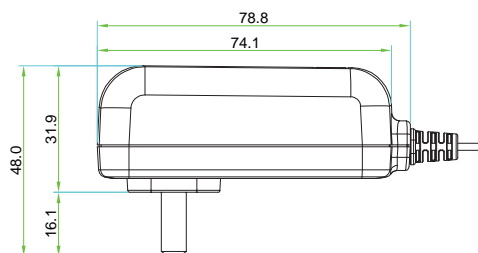


型号 Item No.	AC Adaptor 12W	
额定输入电压 Rated input voltage	100-240Vac	
操作电压 Operating range	90-264Vac	
额定输入频率 Rated input frequency	50/60Hz +/- 3Hz	
满载输入电流 Rated input current	≤0.3A	
空载功耗 Power consumption (no loading)	0.075W Max	
AC浪涌电流 AC Inrush Current	≤60A	
线性调整 Line regulation	±5%	
纹波 Ripple and noise	< 150 mVp-p	
开机时间 Turn on delay time	< 3000 mS	
保持时间 Hold up time	> 7ms	
输出电压 Output voltage	5.0V-24V	
输出电流 Output current	0.1A-2.0A Max, Total Power Output is less than 12W, current output is less than 2.0A	
MTBF MTBF	50K hours MTBF @ 25° C	
雷击 Fast Transient Immunity	1-6KV	
静电 Electrostatic Discharge Immunity	接触放电4-8KV, 空气放电8-15KV Contact Discharge 4-8KV, Air Discharge 8-15KV	
指示灯 Indicator light	无 No	

CCC

物理参数

Physical Parameter



适配器 AC Adaptor

CCC/S 中规系列

AC Adaptor **24W**



产品特点 Product Features:

- 全系列满足美国DoE VI和欧盟ERP
Full range of products comply with the United States DoE VI and the European Union ERP
- 全封闭式塑胶外壳，绝缘等级Class II
Fully enclosed plastic housing, insulation class Class II
- 工作温度 -20°C +40°C
Working temperature -20°C +40°C
- 过温保护、过流保护、短路保护、过压保护
Over-temperature protection, overcurrent protection, short circuit protection, overvoltage protection

Conformities

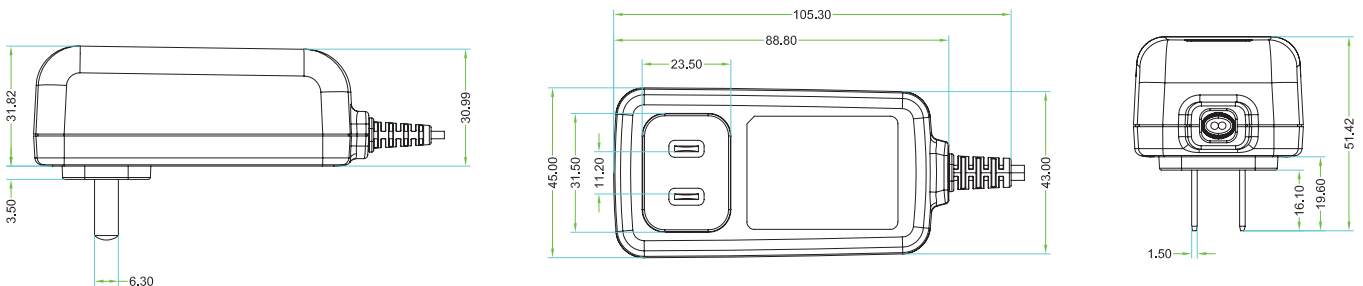
GB4943 GB19510 GB17743 GB4706 GB17625



型号 Item No.	AC Adaptor 24W	
额定输入电压 Rated input voltage	100-240Vac	
操作电压 Operating range	90-264Vac	
额定输入频率 Rated input frequency	50/60Hz +/- 3Hz	
满载输入电流 Rated input current	≤0.6A	
空载功耗 Power consumption (no loading)	0.075W Max	
AC浪涌电流 AC Inrush Current	≤80A	
线性调整 Line regulation	±5%	
纹波 Ripple and noise	< 150 mVp-p	
开机时间 Turn on delay time	< 3000 mS	
保持时间 Hold up time	> 7ms	
输出电压 Output voltage	5.0V-24V	
输出电流 Output current	0.1A-3.4A Max, Total Power Output is less than 24W, current output is less than 3.4A	
MTBF MTBF	50K hours MTBF @ 25° C	
雷击 Fast Transient Immunity	1-6KV	
静电 Electrostatic Discharge Immunity	接触放电4-8KV, 空气放电8-15KV Contact Discharge 4-8KV, Air Discharge 8-15KV	
指示灯 Indicator light	可选 Optional	

物理参数

Physical Parameter



适配器 AC Adaptor

CCC/S 中规系列

AC Adaptor **36W**

NEW!



产品特点 Product Features:

- 全系列满足美国DoE VI和欧盟ERP
Full range of products comply with the United States DoE VI and the European Union ERP
- 全封闭式塑胶外壳，绝缘等级Class II
Fully enclosed plastic housing, insulation class Class II
- 工作温度 -20°C +40°C
Working temperature -20°C +40°C
- 过温保护、过流保护、短路保护、过压保护
Over-temperature protection, overcurrent protection, short circuit protection, overvoltage protection

Conformities

GB4943 GB19510 GB17743 GB4706 GB17625

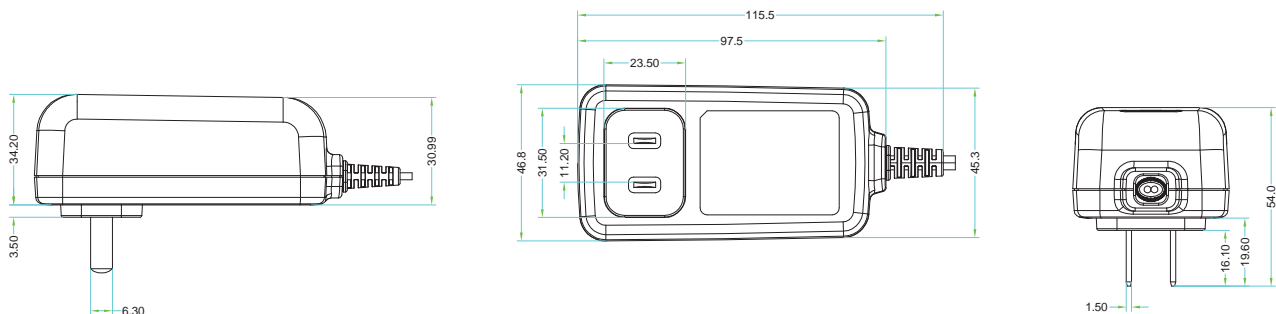


型号 Item No.	AC Adaptor 36W	
额定输入电压 Rated input voltage	100-240Vac	
操作电压 Operating range	90-264Vac	
额定输入频率 Rated input frequency	50/60Hz +/- 3Hz	
满载输入电流 Rated input current	≤0.8A	
空载功耗 Power consumption (no loading)	0.075W Max	
AC浪涌电流 AC Inrush Current	≤80A	
线性调整 Line regulation	±5%	
纹波 Ripple and noise	< 180 mVp-p	
开机时间 Turn on delay time	< 3000 mS	
保持时间 Hold up time	> 10ms	
输出电压 Output voltage	9.0V-24V	
输出电流 Output current	0.1A-4.0A Max, Total Power Output is less than 36W, current output is less than 4.0A	
MTBF MTBF	50K hours MTBF @ 25° C	
雷击 Fast Transient Immunity	1-6KV	
静电 Electrostatic Discharge Immunity	接触放电4-8KV, 空气放电8-15KV Contact Discharge 4-8KV, Air Discharge 8-15KV	
指示灯 Indicator light	可选 Optional	

CCC

物理参数

Physical Parameter



适配器 AC Adaptor

Desk-Top/S 桌上系列

AC Adaptor **50W**

NEW!



产品特点 Product Features:

- 全系列满足美国DoE VI
Full range of products comply with the United States DoE VI
- 全封闭式塑胶外壳，绝缘等级Class II
Fully enclosed plastic housing, insulation class Class II
- 工作温度 -20°C +40°C
Working temperature -20°C +40°C
- 过温保护、过流保护、短路保护、过压保护
Over-temperature protection, overcurrent protection, short circuit protection, overvoltage protection

Conformities

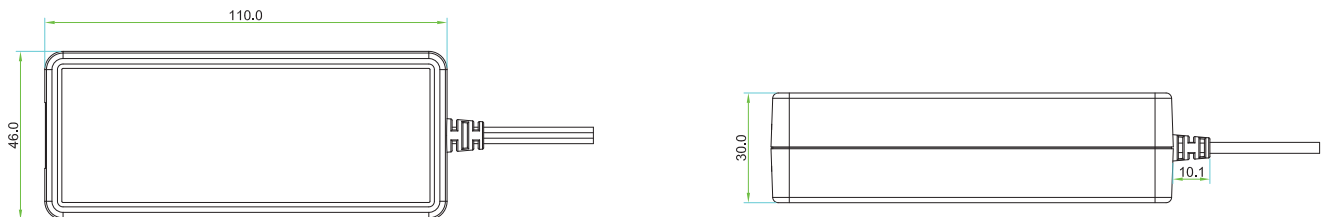
UL60950 UL1310 FCC
EN60950 EN61558 EN61347 EN55022 EN55024
EN55014 EN55015 EN61547 EN61000
GB4943 GB19510 GB17743 GB4706 GB17625



型号 Item No.	AC Adaptor 50W	
额定输入电压 Rated input voltage	100-240Vac	
操作电压 Operating range	90-264Vac	
额定输入频率 Rated input frequency	50/60Hz +/- 3Hz	
满载输入电流 Rated input current	≤1.2A	
空载功耗 Power consumption (no loading)	0.075W Max	
AC浪涌电流 AC Inrush Current	≤80A	
线性调整 Line regulation	±5%	
纹波 Ripple and noise	< 200 mVp-p	
开机时间 Turn on delay time	< 3000 mS	
保持时间 Hold up time	> 10ms	
输出电压 Output voltage	12V-24V	
输出电流 Output current	0.1A-4.0A Max, Total Power Output is less than 50W, current output is less than 4.0A	
MTBF MTBF	50K hours MTBF @ 25° C	
雷击 Fast Transient Immunity	1-6KV	
静电 Electrostatic Discharge Immunity	接触放电4-8KV, 空气放电8-15KV Contact Discharge 4-8KV, Air Discharge 8-15KV	
指示灯 Indicator light	可选 Optional	

物理参数

Physical Parameter



适配器 AC Adaptor

Desk-Top/S 桌上系列

AC Adaptor **65W**

NEW!



产品特点 Product Features:

- 全系列满足美国DoE VI
Full range of products comply with the United States DoE VI
- 全封闭式塑胶外壳，绝缘等级Class II
Fully enclosed plastic housing, insulation class Class II
- 工作温度 -20°C +40°C
Working temperature -20°C +40°C
- 过温保护、过流保护、短路保护、过压保护
Over-temperature protection, overcurrent protection, short circuit protection, overvoltage protection

Conformities

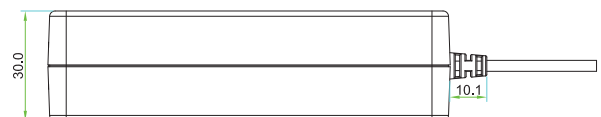
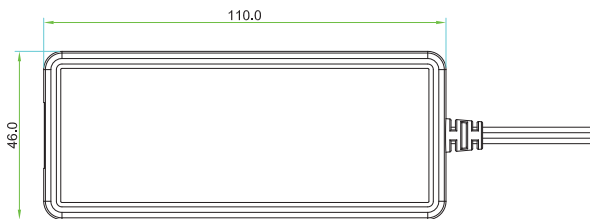
UL60950 UL1310 FCC
EN60950 EN61558 EN61347 EN55022 EN55024
EN55014 EN55015 EN61547 EN61000
GB4943 GB19510 GB17743 GB4706 GB17625



型号 Item No.	AC Adaptor 65W	
额定输入电压 Rated input voltage	100-240Vac	
操作电压 Operating range	90-264Vac	
额定输入频率 Rated input frequency	50/60Hz +/- 3Hz	
满载输入电流 Rated input current	≤1.2A	
空载功耗 Power consumption (no loading)	0.15W Max	
AC浪涌电流 AC Inrush Current	≤80A	
线性调整 Line regulation	±5%	
纹波 Ripple and noise	< 180 mVp-p	
开机时间 Turn on delay time	< 3000 mS	
保持时间 Hold up time	> 10ms	
输出电压 Output voltage	12V-24V	
输出电流 Output current	0.1A-5.0A Max, Total Power Output is less than 65W, current output is less than 5.0A	
MTBF MTBF	50K hours MTBF @ 25° C	
雷击 Fast Transient Immunity	1-6KV	
静电 Electrostatic Discharge Immunity	接触放电4-8KV, 空气放电8-15KV Contact Discharge 4-8KV, Air Discharge 8-15KV	
指示灯 Indicator light	可选 Optional	

物理参数

Physical Parameter



Customized Product/S 定制产品

NEW!



产品特点 Product Features:

- 全系列满足美国DoE VI和欧盟ERP
Full range of products comply with the United States DoE VI and the European Union ERP
- 过温保护、过流保护、短路保护、过压保护
Over-temperature protection, overcurrent protection, short circuit protection, overvoltage protection

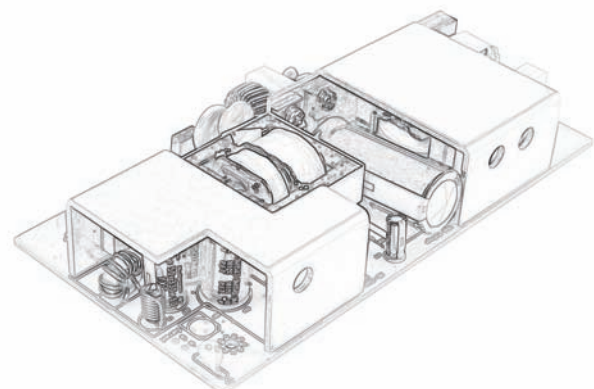
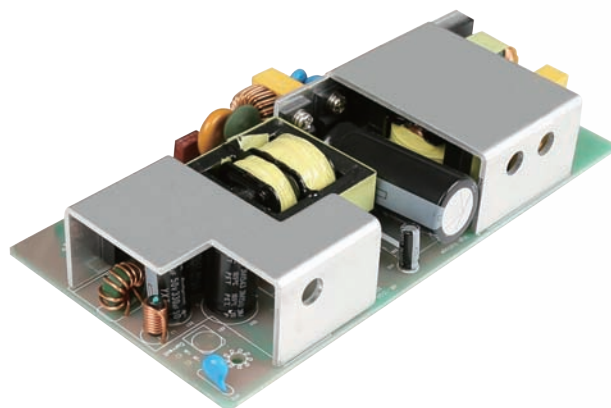
Conformities

UL60950 UL1310 FCC
EN60950 EN61558 EN61347 EN55022 EN55024
EN55014 EN55015 EN61547 EN61000
GB4943 GB19510 GB17743 GB4706 GB17625














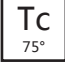
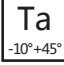











型号 Item No.	定制产品 Customized product
额定输入电压 Rated input voltage	100-240Vac / 100-120Vac / 200-240Vac
操作电压 Operating range	90-264Vac / 90-132Vac / 180-264Vac
额定输入频率 Rated input frequency	50/60Hz +/- 3Hz
空载功耗 Power consumption (no loading)	双方商定 Mutual agreement
AC浪涌电流 AC Inrush Current	双方商定 Mutual agreement
线性调整 Line regulation	±5%
纹波 Ripple and noise	双方商定 Mutual agreement
开机时间 Turn on delay time	双方商定 Mutual agreement
保持时间 Hold up time	双方商定 Mutual agreement
输出电压 Output voltage	双方商定 Mutual agreement
输出电流 Output current	双方商定 Mutual agreement
MTBF MTBF	双方商定 Mutual agreement
雷击 Fast Transient Immunity	双方商定 Mutual agreement
产品尺寸 Product demension	双方商定 Mutual agreement

CP



Explanation of symbols

Symbols	Explanation	Symbols	Explanation	Symbols	Explanation
	Indoor use only		IP Rating		CE Certification
	TUV Certification		TUV-GS Certification		ENEC Certification
	CQC Certification		CUL Certification		SAA Certification
	SEMKO Certification		Safety classification 2		120°C Over heat protection
	Safety isolation transformer for short circuit		Case Temp.(Tc)		Ambient Temp.(Ta)
	Storage Temp.		Independent Installation		CCC Certification
	UL Certification		CB Certification		FCC Certification
	PSE Certification		SMPS Mark		DoE VI



东莞市大正新能源科技有限公司

DOZEN-ENERGY TECHNOLOGY CO.,LTD

香港擎洲国际有限公司

擎洲光电德国有限公司

-
- 📍 地址：广东省东莞市横沥镇新四管理区
Xinsi Industrial Zone,Hengli Town
Dongguan City,Guangdong,China
 - ☎ 电话：+86-0769-82329300
 - ☎ 传真：+86-0769-82329301
 - ✉ 邮箱：sales@Dozen-energy.com
 - 🌐 网址：www.Dozen-energy.com
- 